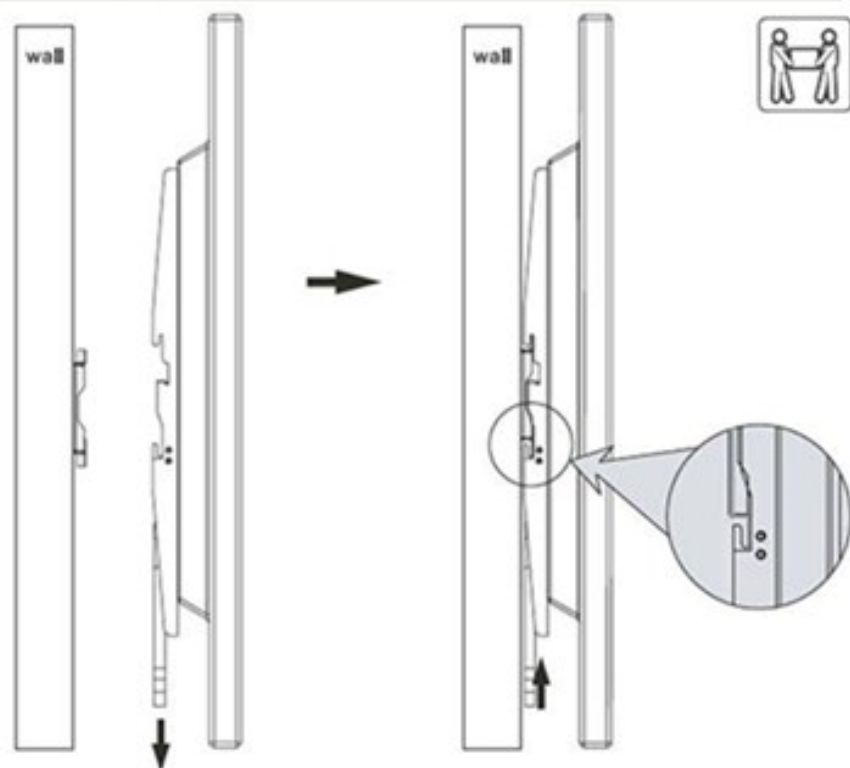


3. Hook Display onto the Wall Plate



Pull downward two safety straps at the same time then slowly release the straps to lock display brackets.

Maintenance

- Check that the bracket is secure and safe to use at regular intervals (at least every three months).
- Please contact your dealer if you have any questions.

37"-80" Fixed TV Wall Bracket

/ GVA1F



Instruction Manual

12
MONTH

MANUFACTURER'S
WARRANTY

GVA

THE 'V' STANDS
FOR VALUE.



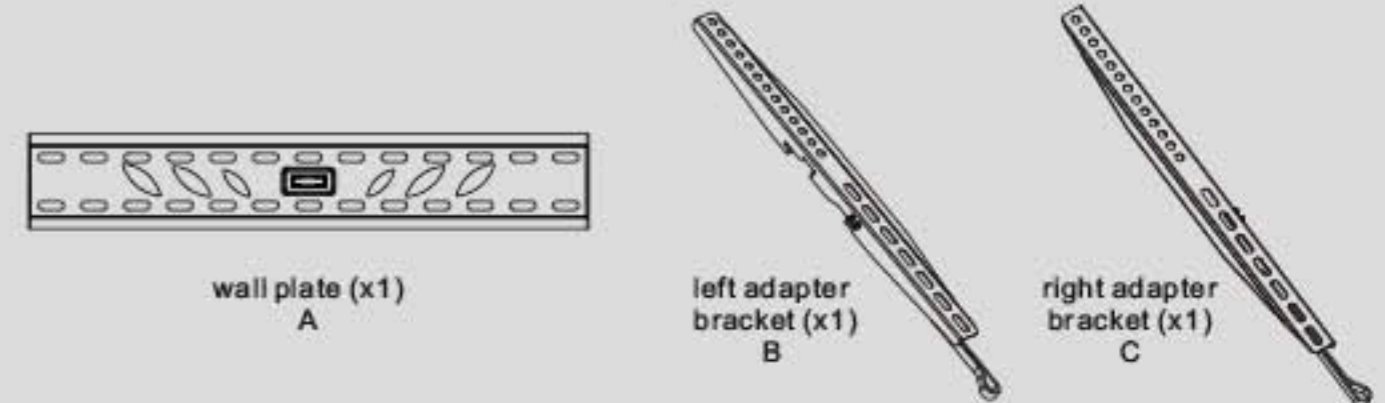
NOTE: Read the entire instruction manual before you start installation and assembly.

⚠ WARNING

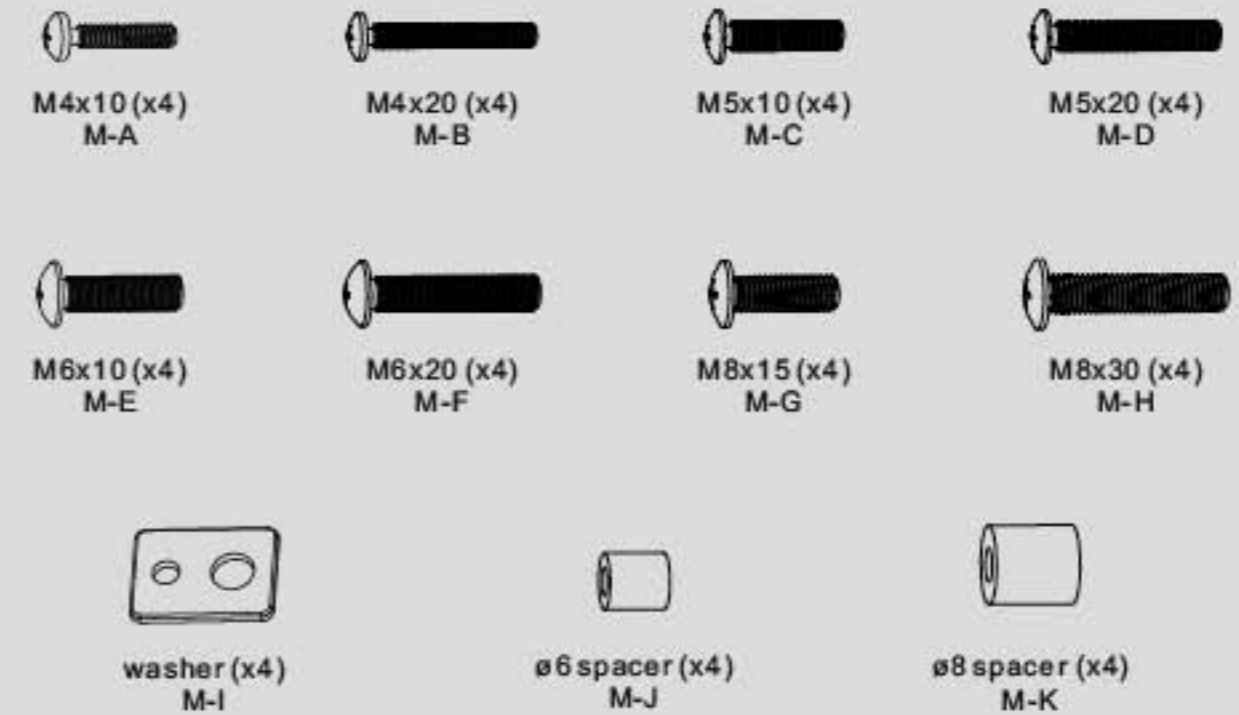
- Do not begin the installation until you have read and understood the instructions and warnings contained in this installation sheet. If you have any questions regarding any of the instruction or warning, please contact your local distributor.
- This mounting bracket was designed to be installed and utilized **ONLY** as specified in this manual. Improper installation of this product may cause damage or serious injury.
- This product should only be installed by someone of good mechanical ability, with basic building experiences and fully understanding of this manual.
- Make sure that the supporting surface will safely support the combined load of the equipment and all attached hardware and components.
- If mounting to wood wall studs, make sure that mounting screws are anchored into the center of the studs. Use of a stud finder is highly recommended.
- Always use an assistant or mechanical lifting equipment to safely lift and position equipment.
- Tighten screws firmly, but do not over tighten. Over tightening can damage the items, greatly reducing their holding power.
- This product intended for indoor use only. Using this product outdoors could lead to product failure and personal injury.

Component Checklist

IMPORTANT: Ensure that you have received all parts according to the component checklist prior to installing. If any parts are missing or faulty, telephone your local distributor for a replacement.



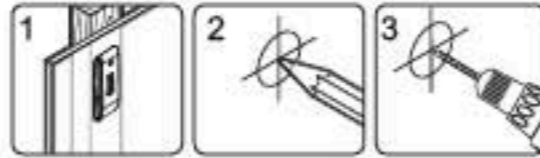
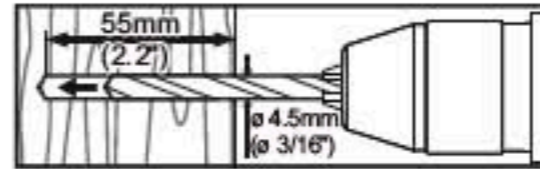
Package M



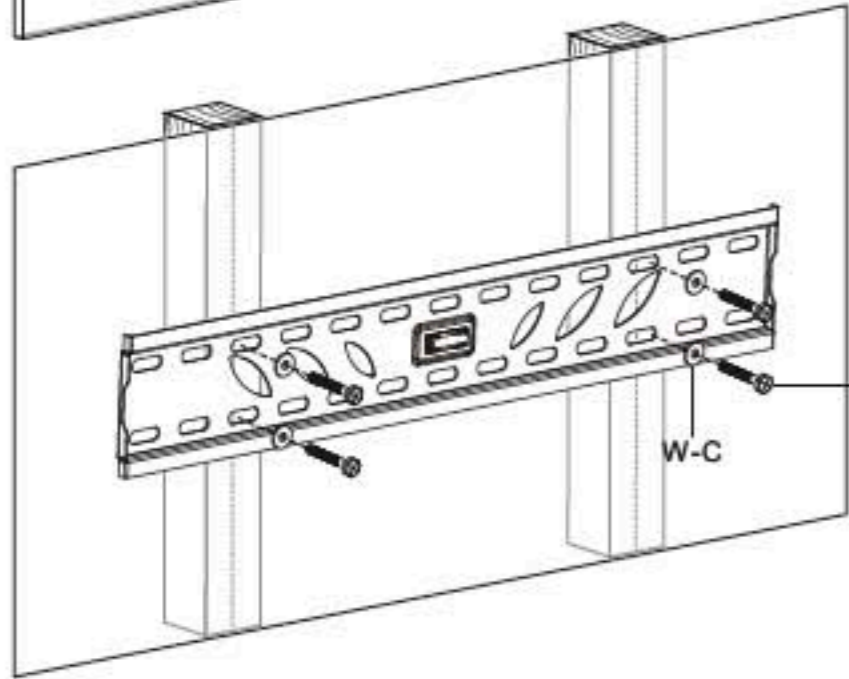
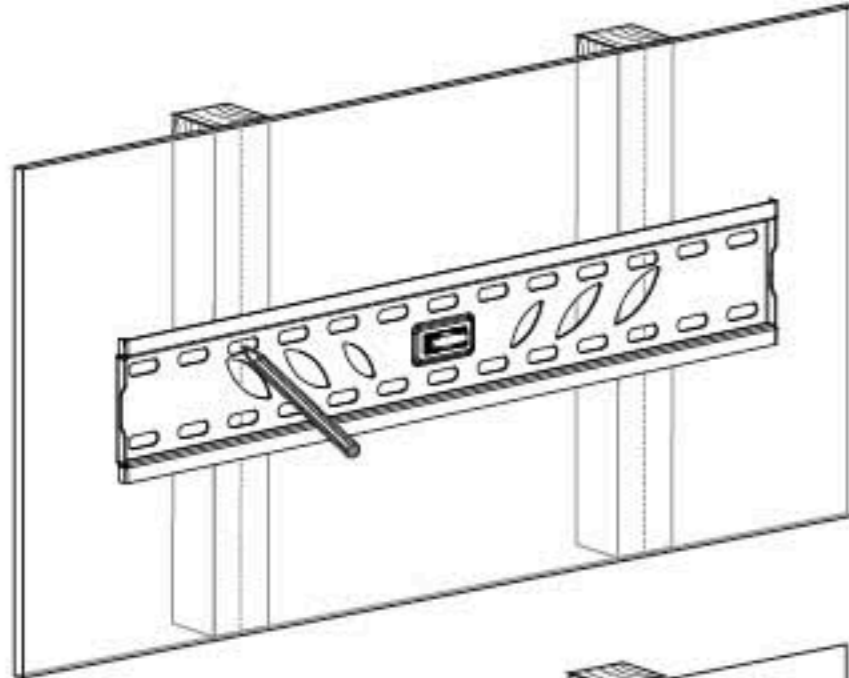
Package W



1a. Mount on Wood Stud Wall



1 Find and mark the exact location of mounting holes
2 Drill pilot holes
3 Drill pilot holes

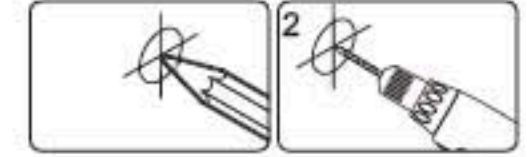
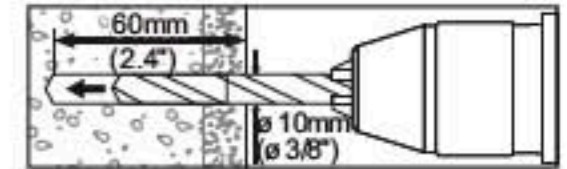


Screw the wall plate onto the wall

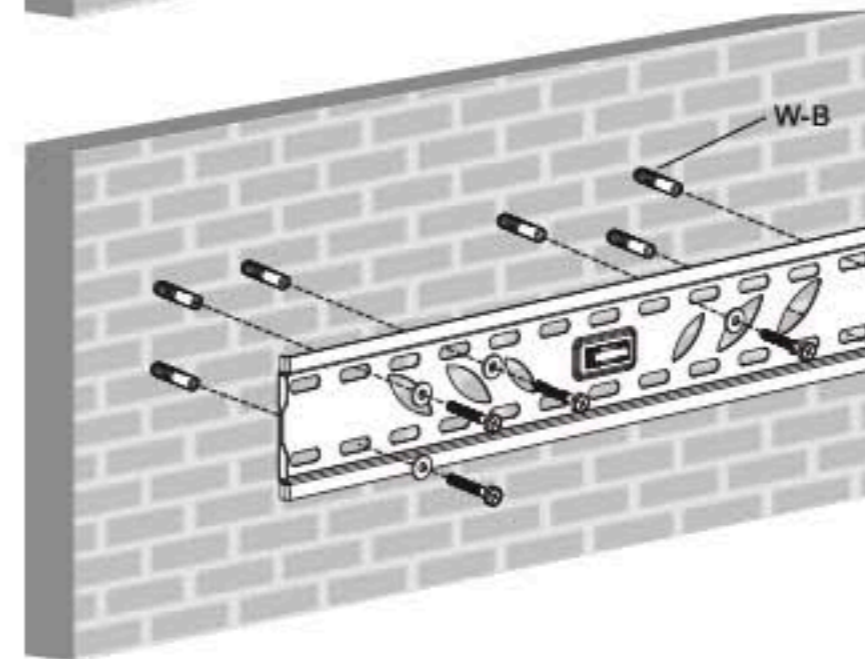
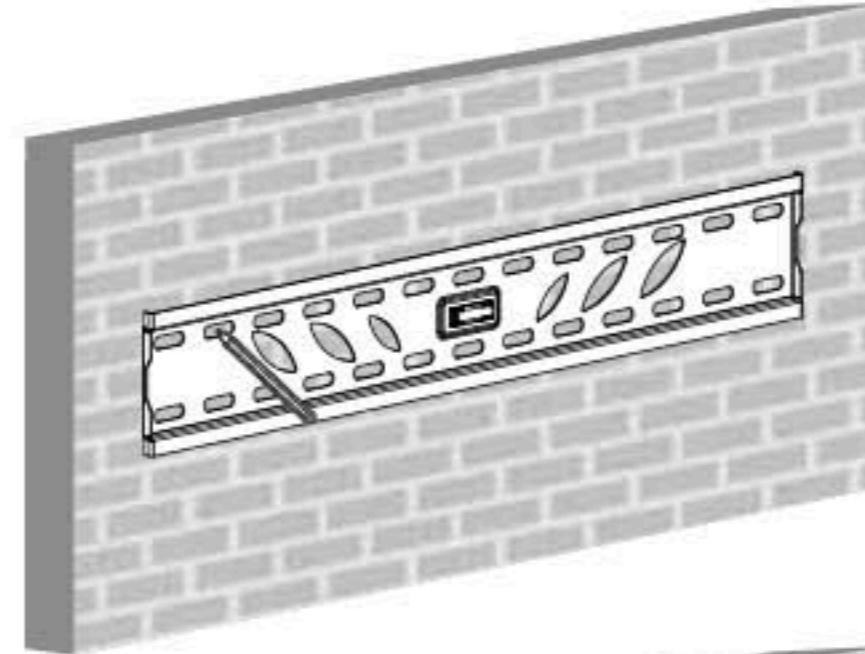
⚠ WARNING

- Make sure that mounting screws are anchored into the center of the studs. Use of a stud finder is highly recommended.
- Installers are responsible to provide hardware for other types of mounting situations.
- Installer must verify that the supporting surface will safely support the combined load of the equipment and all attached hardware and components.

1b. Mount on Solid Brick and Concrete Block



1 Mark the exact location of mounting holes
2 Drill pilot holes

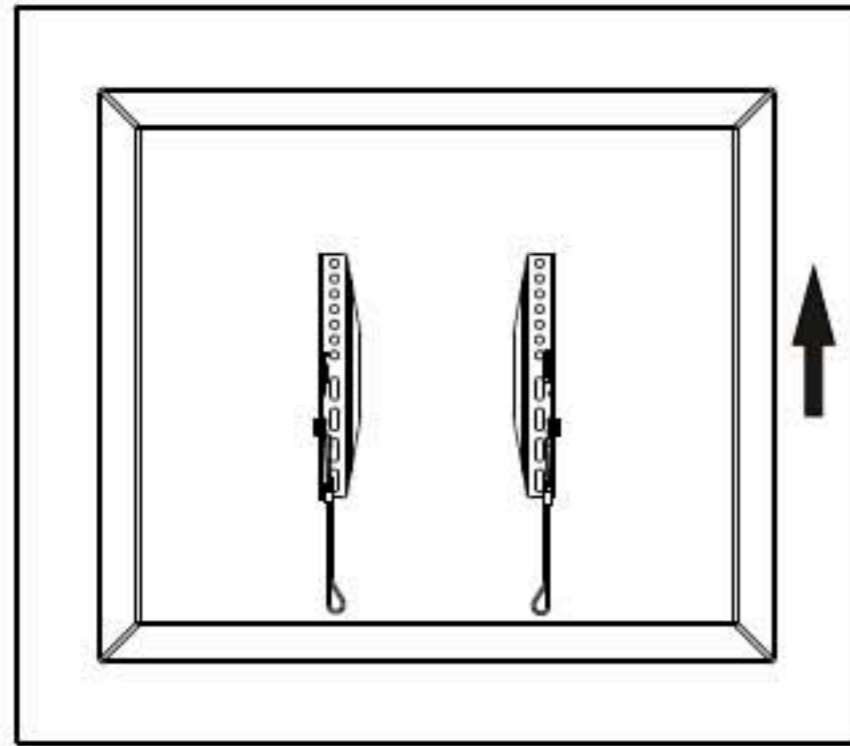


Screw the wall plate onto the wall

⚠ WARNING

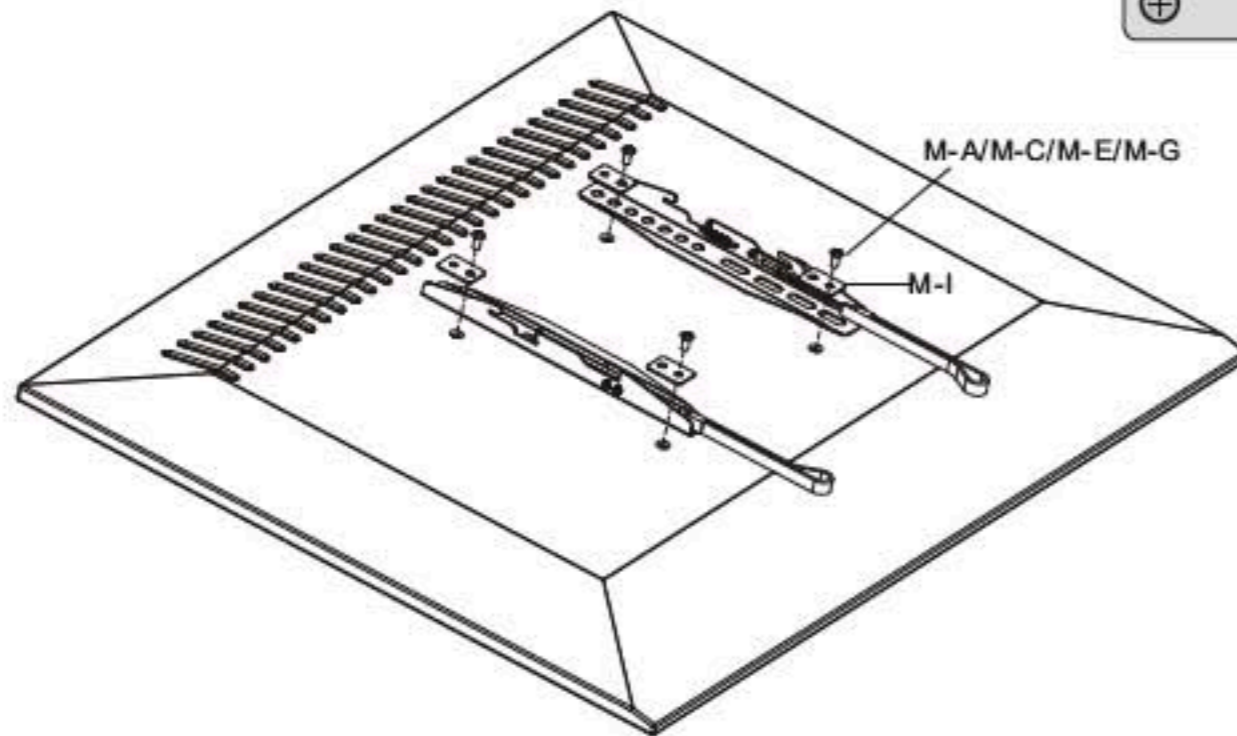
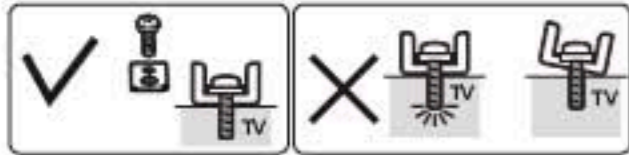
- When installing wall mounts on cinder block, verify the actual concrete thickness is at least 1-3/8" (35mm) for using the concrete anchors. Do not drill into mortar joints! Be sure to mount in a solid part of the block, generally 1" (25mm) minimum from the side of the block. It is suggested electric drill on slow setting is used to drill the hole instead of a hammer drill to avoid breaking out the back of the hole when entering a void or cavity.
- Installer must verify that the supporting surface will safely support the combined load of the equipment and all attached hardware and components.

2. Install Adapter Brackets



Top of display

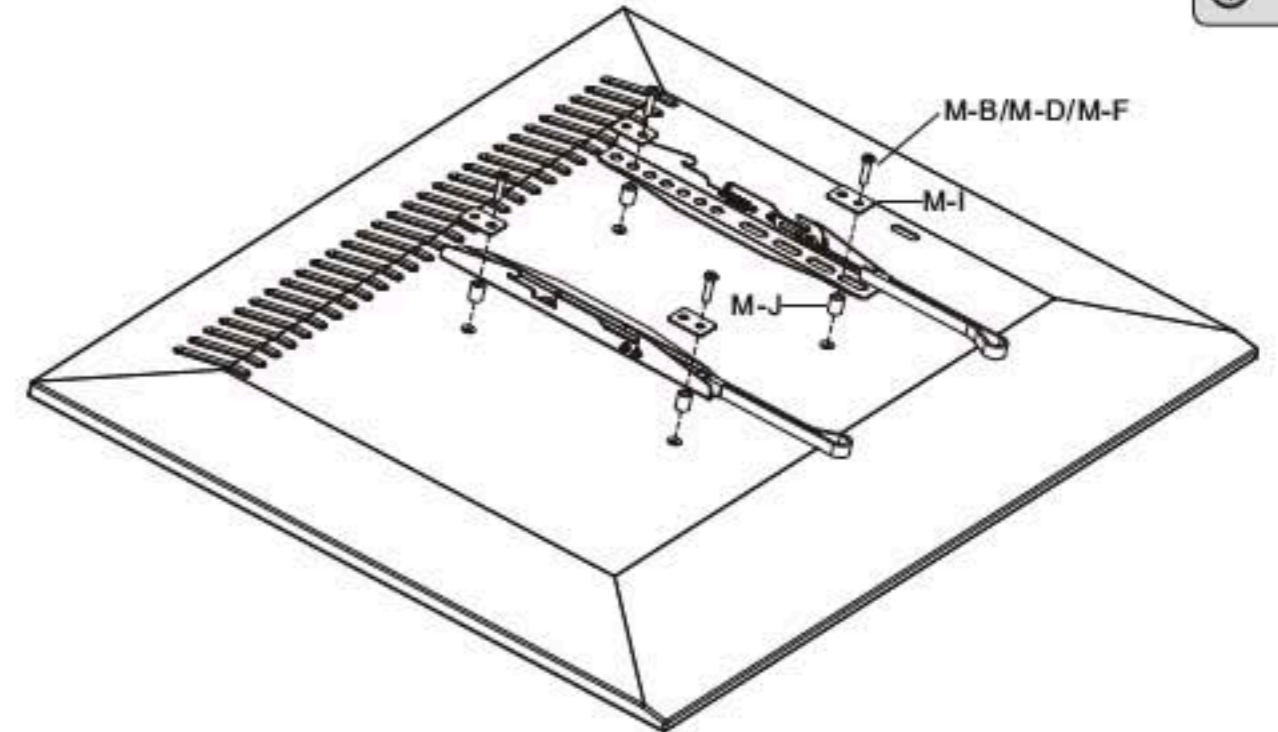
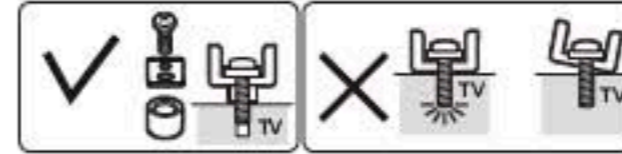
2-1. For Flat Back Screen



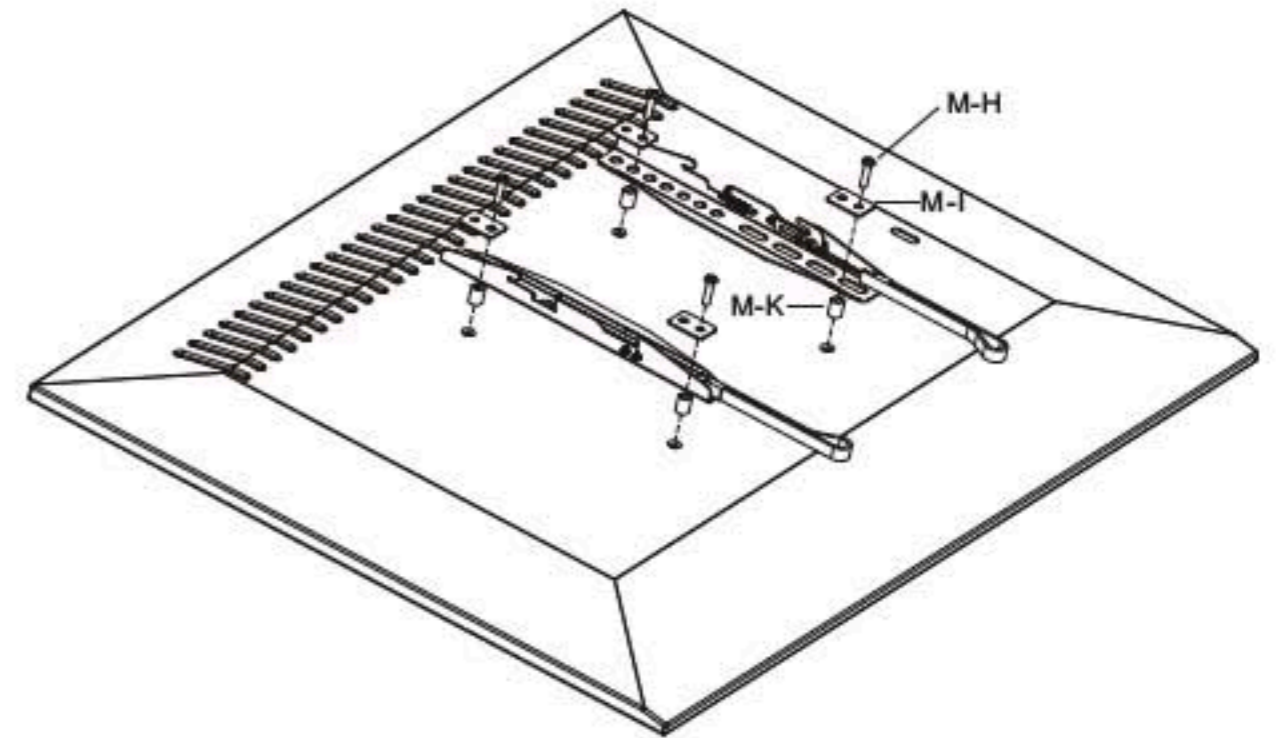
- Position the adapter brackets as close as possible to the center of the display.
- Screw the adapter brackets onto the display.

Tighten all screws but do not over tighten.

2-2. For Bump-out or Recessed Back Screen



or



- Position the adapter brackets as close as possible to the center of the display.
- Screw the adapter brackets onto the display.

Tighten all screws but do not over tighten.